

BENCH BRACKET INSTALLATION GUIDELINES

Please read all instructions before proceeding with installation.
Remember to check and follow all building codes.



Hardware Included

- (4) 1/4" x 1-1/2" Lag screws c/w washers
- (2) 1/4" x 2-1/2" Hex bolts c/w nut, lock & flat washers
- (12) #10 x 1" Wood screws c/w washers
- (8) #8 x 2-1/2" Wood screws

Step 1: Layout Bench Brackets

- Determine Bench location on deck
- Layout the required brackets on deck using distances as shown.

NOTE: Decks with surface boards that overhang the Facia board will need to be notched so that the deck bracket will be installed tightly against and bolted into the facia board. Determine the bracket location and notch out to the width of the bracket (2-1/4") (Fig.2)

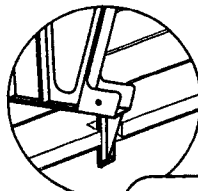


Fig. 2

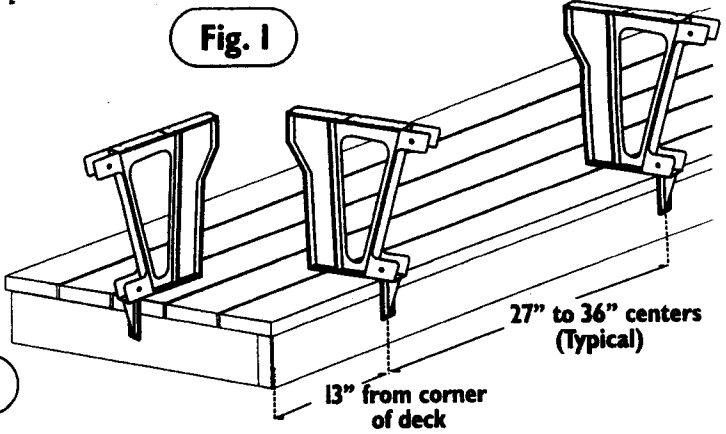


Fig. 1

Step 2: Attach Bench Brackets to Deck

- Fasten the Bench Bracket to both the deck Facia Board and Deck Stinger using (4) 1/4" x 1-1/2" Lag Screws.
- Brackets are designed to be attached to decks of standard 2x4 or 2x6 construction.

Important: Deck boards must be in good condition and free from rot, cracks, etc. If using alternate or lighter deck boards additional substructure may be required.

(2) 1/4" x 1-1/2" Lag Screws & Washers

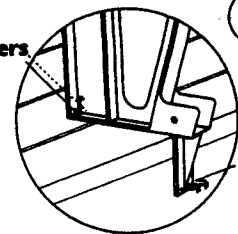


Fig. 3

(2) 1/4" x 1-1/2" Lag Screws & Washers

Step 3: Prepare 2x4 Seat Back Support

- Cut the 2x4 Seat Back Supports as shown in Figure 4
- Overall length: 36-7/8"

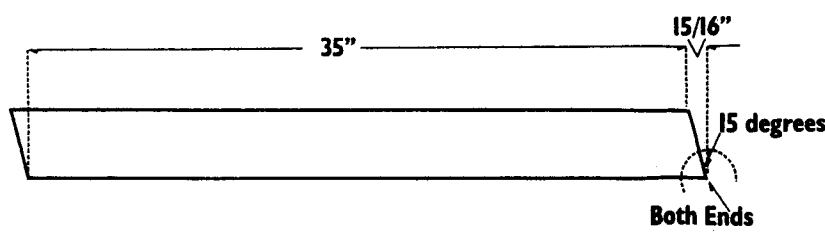


Fig. 4

Step 4: Attach 2x4 Seat Back Support

- Place the precut 2x4 Seat Back Support into the Bench Bracket.
- Attach the 2x4 to the Bench Bracket using (2) #10 x 1" Wood Screws (c/w washers)
- Drill 2 - 1/4" holes through the Bench Bracket and 2x4 upright. Permanently fasten 2x4 to the Bench Bracket using (2) 1/4" x 2-1/2" Hex Bolts with Nut, Washer and Lock Washer. (Fig. 6)

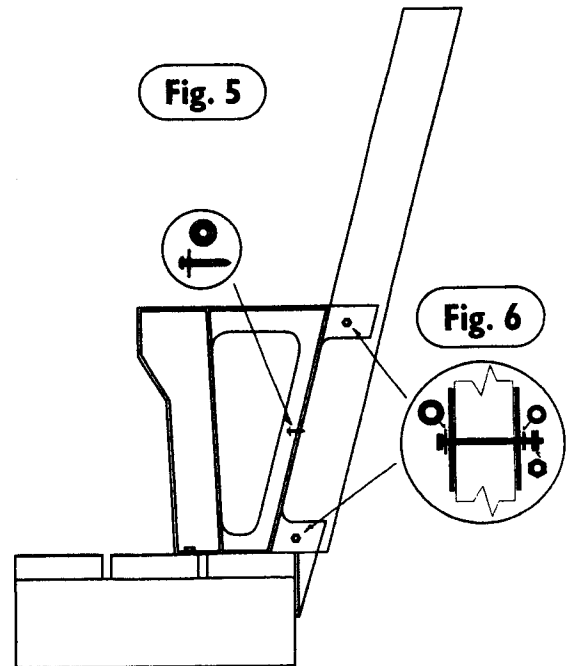


Fig. 5

Fig. 6

Continued on back →

Step 5: Attach the Seat Boards

- Align the front edge of the back 2x6 seat board with the embossed line and screw into place using (4) #10 x 1" wood screws.
- Align the front 2x6 seat board with the front edge of the bracket and screw in place using (4) #10 x 1" wood screws.
- Align facing seat board with the top of the front 2x6 and using (2) #10 x 1" wood screws, screw through bracket holes into 2x6. Attach facing seat board to the front 2x6 using #8 x 2-1/2" screws at approximately 16" centres.

NOTE: It is recommended that 7/32" pilot holes be drilled through the facing board for the #8 wood screws.

Step 6: Attach the Seat Back

- Attach the Top 2x6 Seat Back rail to the 2x4 support. Place the 2x6 1/4" down from the top of the Seat Back support. (Fig. 8). Pre-drill 2 - 7/32" pilot holes and fasten using (2) #8 x 2-1/2" wood screws.
- Attach the bottom 2x6 Seat Back Rail to the 2x4 support leaving a 3/4" space between the top and bottom rail. Pre-drill 2 - 7/32" pilot holes and fasten using (2) #8 x 2-1/2" wood screws

Step 7: Attach the Top Rail

- Attach the 2x6 Top Rail to the Seat Back Support allowing a 1/4" overhang on the back side of the 2x4 support.
- Pre-drill (2) 7/32" pilot holes and fasten the Top Rail to the 2x4 support using (2) #8 x 2-1/2" wood screws.

Finishing Details

The Procedure for Turning a Corner (Butt Joint)

Note: When turning a corner add 1 linear ft. of 2x6 material to each length.

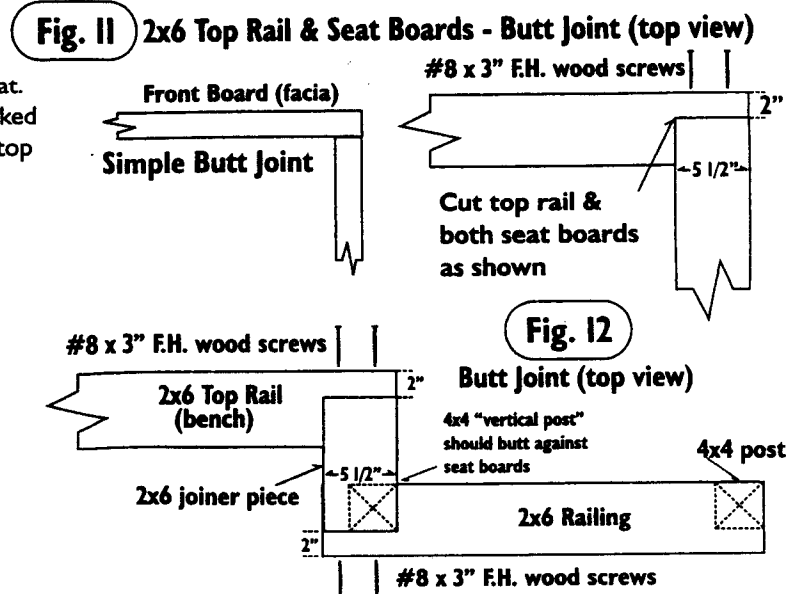
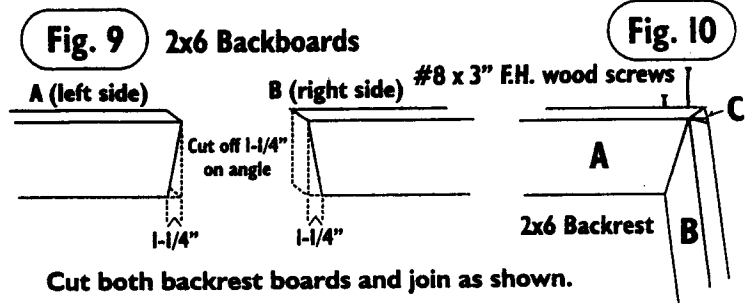
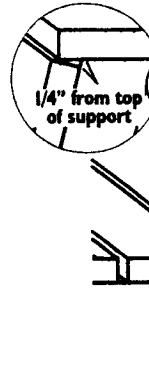
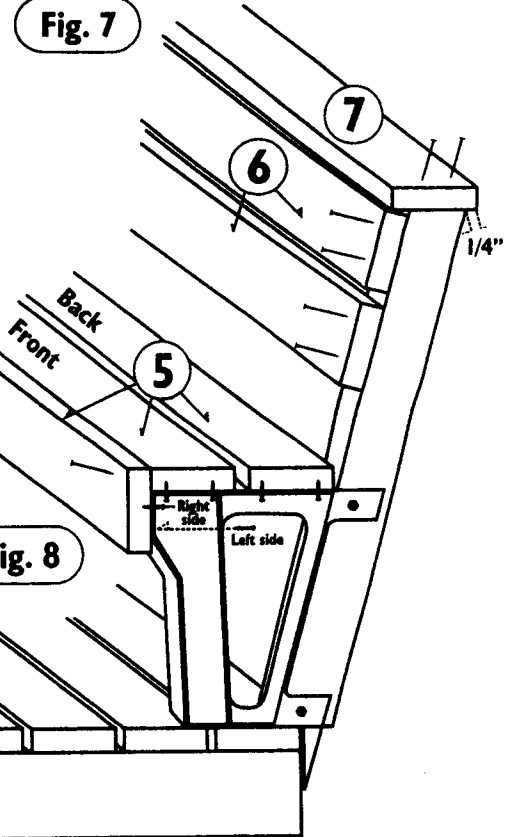
To assemble the 2x6 Seat Back Support when turning a corner, you must first cut an angle of 1-1/4" from the end of each board as shown in Figure 9.

After assembly of the (2) - 2x6 backboards, the top ("A") board requires trimming so that the 2x6 top rail can rest flat. Use a file or rasp to trim off 1-1/2" x 1/4" (shaded area marked "C") from the top of the 2x6 top board ("A") to allow the top rail to rest flat. (Fig. 10)

How to Tie Your Bench to the Handrail

Cut 2x6 top board of railing and top rail of bench as shown in Figure 12.

IMPORTANT: Turning a corner and tying into the handrail can also be achieved by making mitre cuts on all joints. Hardware for turning a corner or tying to handrail is not supplied.



GUARANTEE

EPRODUCTS™ guarantees defective free product for a period of 10 years for the original purchaser. Any claim will be for replacement parts only and does not include other materials, freight or labor charges. A dated bill of sale must accompany the claim.